

# Vertical Centrifugal Pump

## VCP Series

### VCP0510

### VCP1010

### VCP2010

#### ■ Usage

- To provide cryogenic liquefied gas storage tank
- To load liquefied gas into liquefied transportation (tank lorry)
- To circulate and transfuse liquid gas from cryogenic equipment

#### ■ Merits

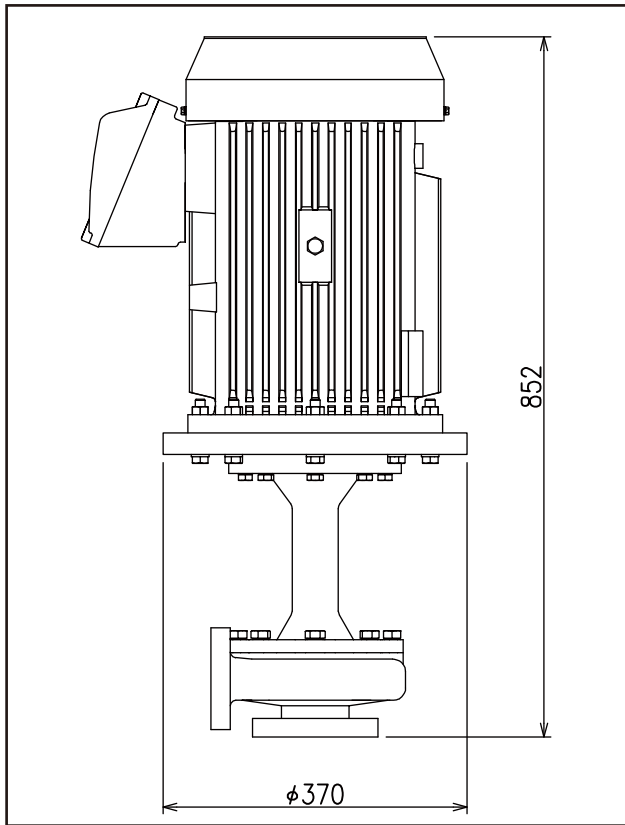
- No leakage
- Long service life
- Small & Light weight
- Maintenance free

#### ■ Vertical common enclosure for gas/liquid

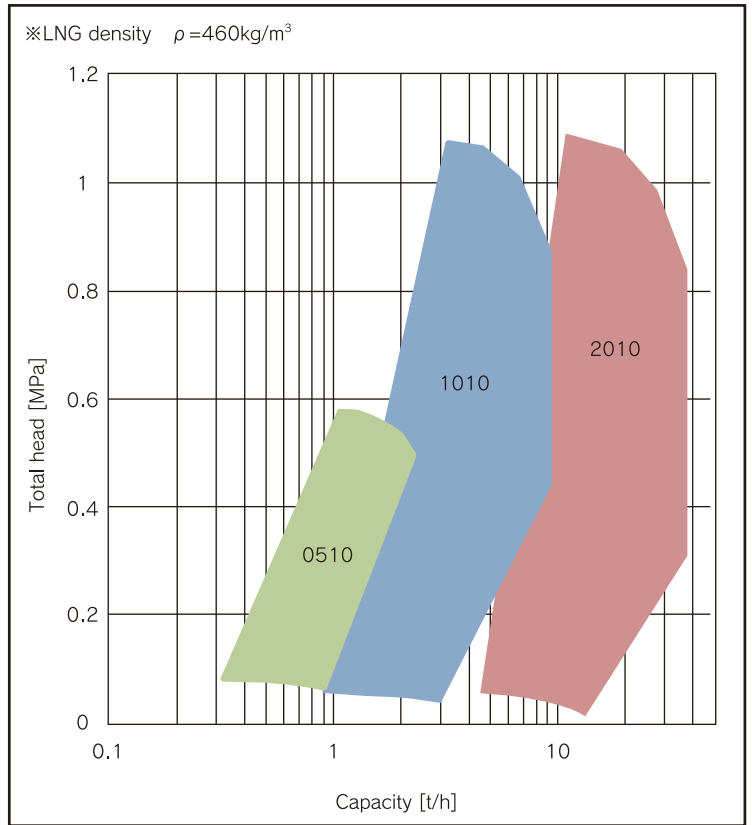
- Separation of gas and liquid with sealless structure
- Motor under low pressure and ambient condition
- High rpm inverter motor



## Outline



## Performance



## Specification

Pump Type	VCP0510	VCP1010	VCP2010
Capacity [t/h]	0.32 ~ 2.3	0.92 ~ 9.2	4.6 ~ 36.8
Total head [MPa]	0.09 ~ 0.54	0.13 ~ 0.9	0.13 ~ 0.9
Maximum allowable suction pressure [MPa]	0.5	0.5	0.5
Impeller stages	1	1	1
Minimum rotational speed [rpm]	2,000	2,000	2,000
Maximum rotational speed [rpm]	8,400	8,400	8,400
Motor power [kW]	7.5/15	7.5/15	30
NPSHR [m]	0.06 ~ 1.2	0.1 ~ 5	0.3 ~ 10
Weight (Include pump stage) [kg]	100 (240)	160 (300)	210 (450)
Power supply voltage	3-phase AC 200/220V or 400/440V		

※LNG density  $\rho = 460 \text{ kg/m}^3$

※Change specifications depend on condition



〒592-8331

2-6-40, CHIKKO SHINMACHI, NISHI-KU, SAKAI, OSAKA

TEL/072-244-8801

FAX/072-244-8765

URL/http://www.awpe.co.jp

MAIL/info-awpe-h@awi.co.jp

